

LALIZAS 
LifeSaving



Liferaft Safety Solutions

www.lalizas.com

LALIZAS

LifeSaving

Manufacturer of Safety Equipment & Global Service Provider

LALIZAS is a global leading manufacturer and service provider of lifesaving and fire fighting equipment for maritime safety. With a strong commercial presence in 130+ countries, LALIZAS offers a total safety solution through a comprehensive product range and a global network of service stations.

Backed by over 40 years of expertise and a strong international presence, LALIZAS supports the entire commercial market.



- Shipyards
- Ship Management/Ship Owning Companies
- LSA/FFE Suppliers & Service Stations
- Navy & Army Forces

At the core of our operations lies an uncompromising commitment to safety, quality and strict regulatory compliance. Certified to meet international and national standards, our product portfolio consists of lifesaving appliances and fire fighting equipment, all designed to perform reliably in demanding conditions, ensuring safety at sea.

TOTAL SAFETY SOLUTION

Supply

- Liferafts
- Inflatable & Foam Lifejackets
- Embarkation & Pilot Ladders
 - Lifesaving Lights
 - MOB Systems
 - Immersion Suits
- Fire Fighting Equipment
 - Breathing Apparatus
- Polar Survival Equipment
- Marine Distress Signals & Pyrotechnics
 - IMO Signs
- Personal Protection



Service

Our strong manufacturing expertise is supported by a global network of over 350 authorised service stations, providing worldwide inspection, certification for fire fighting, rescue, and lifesaving equipment across all major international ports.

These services are coordinated through LALIZAS dedicated **FSR Department**, which serves as a single point of contact for all service-related requirements.

Commercial vessels are provided with all essential prerequisites and comprehensive service support, ensuring minimum port stay.



Liferaft Exchange

LALIZAS Fast & Independent Liferaft Exchange (F&I) is a liferaft exchange service that enables ship managers and owners to quickly replace liferafts with newly serviced and certified units, ensuring continuous IMO compliance with minimal downtime, no long-term contracts, and simplified fleet management.

F&I is available in key ports around the world, with the support of 95+ Liferaft Service Stations authorised by LALIZAS as well as a great number of exchange locations & collection points.



COMMERCIAL PRESENCE IN MORE THAN **130 COUNTRIES**



8 MODERN PRODUCTION PLANTS

across **Greece, Italy, Bulgaria, China and Brazil**,
fully owned and operated by LALIZAS,
ensuring consistent quality.

14 Branches

across **Brazil, Canada, China, Croatia, Greece, Italy, Montenegro, Philippines, RSA, Spain, Turkey, UAE, UK and USA**, providing local support, efficient distribution and strong customer engagement worldwide.

GLOBAL SUPPLY, SERVICE & EXCHANGE NETWORK



350 +
SERVICE STATIONS
AROUND THE WORLD

MANUFACTURING MORE THAN
10.000 PRODUCTS

Safety is not just a product, it is an ongoing process!

Throw-overboard

LALIZAS Liferaft SOLAS OCEANO, Throw-overboard Type, SOLAS/MED - MER



- For use on board commercial vessels engaged on international voyages
- Equipment packs: SOLAS Pack A or SOLAS Pack B
- Available capacities: from 6 to 25 Persons
- Flat pack canister option available (Capacities from 8 to 12 Persons)
- GRP canister
- Durable rubber fabric
- Double chambered tubes
- Stowage height up to 36 m (Painter lineup to 46 m)



- Insulated floor for low temperature conditions
- High visibility canopy with SOLAS reflective tapes
- Fully operational at temperatures from - 30°C up to +65°C
- Global Service Stations' network
- Supplied with deck cradle in wooden box (79880-79882 are supplied in wooden box without deck cradle)



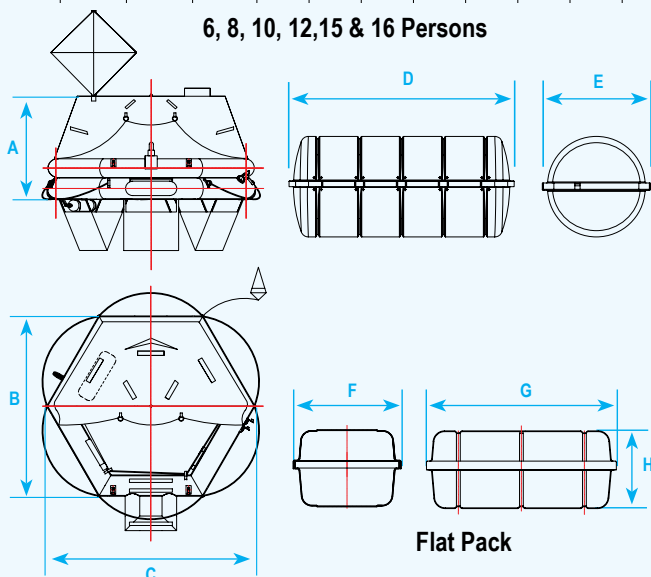
Flat Pack

Code	Persons	Weight (kg)*	Pack	Dimensions (mm)							
				A	B	C	D	E	F	G	H
79867	6	76	A	1200	2104	2104	1090	615	-	-	-
79903		66	B				1045	545	-	-	-
79868	8	85	A	1250	2390	2390	1090	615	-	-	-
79880		85	Flat - A				-	-	564	994	405
79904		73	B				1045	545	-	-	-
79869	10	98	A	1400	2694	2694	1230	630	-	-	-
79905		82	B				1090	615	-	-	-
79870	12	108	A	1500	2924	2924	1230	630	-	-	-
79882		108	Flat - A				-	-	664	1044	405
79906		92	B				1090	615	-	-	-
79871	15	128	A	1600	3238	3238	1285	670	-	-	-
79907		97	B				-	-	-	-	-

Code	Persons	Weight (kg)*	Pack	Dimensions (mm)							
				A	B	C	D	E	F	G	H
79872	16	127	A	1600	3330	3330	1285	670	-	-	-
79908		100	B				1230	645	-	-	-
79873	20	149	A	1600	4304	2974	1335	696	-	-	-
79909		120	B				1285	670	-	-	-
79874	25	178	A	1650	4894	3194	1490	757	-	-	-
79910		135	B				1335	696	-	-	-
79875	30	205	A	1700	5384	3414	1700	765	-	-	-
79911		140	B				1490	757	-	-	-
79876	35	223	A	1750	5899	3568	1700	765	-	-	-
79912		148	B				1490	757	-	-	-

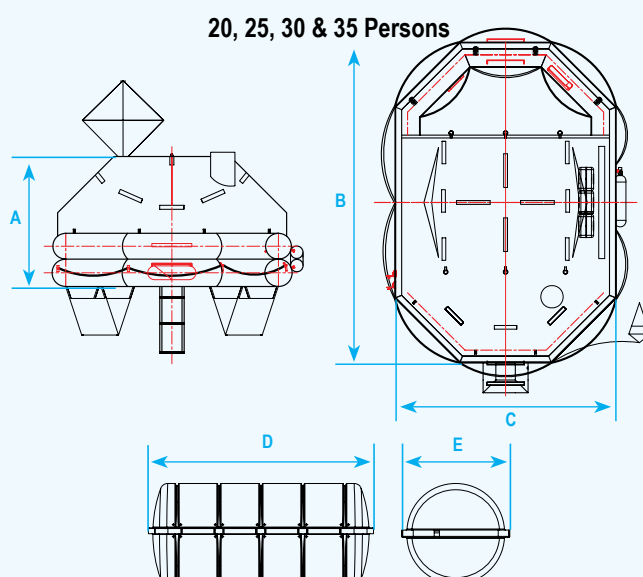
*Total weight of each liferaft including its canister, without the deck cradle & the wooden box.

6, 8, 10, 12, 15 & 16 Persons



Flat Pack

20, 25, 30 & 35 Persons



Throw-overboard

LALIZAS Liferaft SOLAS DEEP SEA II, Throw-overboard Type

- SOLAS/MED/TC approved (fully compliant with MED 2014/90/EU, Chapter III of SOLAS 1974, including all subsequent amendments)
- Available with SOLAS Pack A or SOLAS Pack B equipment configurations, in capacities ranging from 6 to 25 persons
- Available in canister or flat-pack options, offered in both standard and compact versions

- The compact flat-pack version is the most space-efficient SOLAS-approved liferaft, specifically designed for the mega-yacht sector to optimise stowage and save valuable space on board
- Designed to inflate and operate in an outdoor temperature range of -15°C to +65°C
- Annual inspection interval, according to SOLAS requirements

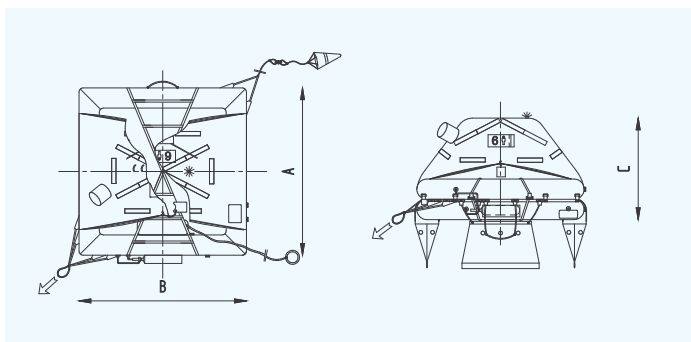


PACK A Equipment

- | | | |
|------------------------------------|---|--|
| 1. Sea anchor with rope (1 piece) | 12. Torch kit (1 piece) | (2 pieces) |
| 2. Life ring with rope (1 piece) | 13. Red hand flare, SOLAS (6 pieces) | 21. Fishing kit (1 piece) |
| 3. Floating paddle (2 pieces) | 14. Red parachute flare, SOLAS (4 pieces) | 22. Radar reflector (1 piece) |
| 4. Immediate action card (1 piece) | 15. Floating smoke signal, SOLAS (2 pieces) | 23. Radar reflector support (1 piece) |
| 5. Floating knife (1 piece) | 16. Signalling mirror (1 piece) | 24. Sea anchor (1 piece) |
| 6. Bailer (1 piece) | 17. LALIZAS Emergency Liferaft Drinking Water (1,5 L per person) | 25. Emergency Signalling table (1 piece) |
| 7. Sponge (2 pieces) | 18. LALIZAS Emergency Liferaft Food Ration 0,5 kg, 2503 kcal (10.000 kJ/person) | 26. Drinking water vessel (1 piece) |
| 8. Whistle (1 piece) | 19. Anti-seasickness pills (6 per person) | 27. Can opener (1 piece) |
| 9. Repair kit (1 piece) | 20. LALIZAS Thermal Protective Aid Alusafe-T, LSA Code | 28. First aid kit (1 piece) |
| 10. Manual pump (1 piece) | | 29. User manual (1 piece) |
| 11. Seasickness bag (1 per person) | | 30. Pair of scissors (1 piece) |

PACK B Equipment

- | | | |
|------------------------------------|--|---|
| 1. Sea anchor with rope (1 piece) | 9. Manual pump (1 piece) | 17. Anti-seasickness pills (6 per person) |
| 2. Life ring with rope (1 piece) | 10. Seasickness bag (1 per person) | 18. First aid kit (1 piece) |
| 3. Floating paddle (2 pieces) | 11. Torch kit (1 piece) | 19. LALIZAS Thermal Protective Aid Alusafe-T, LSA Code (2 pieces) |
| 4. Immediate action card (1 piece) | 12. Red hand flare, SOLAS (3 pieces) | 20. Radar reflector (1 piece) |
| 5. Floating knife (1 piece) | 13. Red parachute rocket, SOLAS (2 pieces) | 21. Radar reflector support (1 piece) |
| 6. Bailer (1 piece) | 14. Floating smoke signal, SOLAS (1 piece) | 22. Sea anchor (1 piece) |
| 7. Sponge (2 pieces) | 15. Repair kit (1 piece) | |
| 8. Whistle (1 piece) | 16. Signalling mirror (1 piece) | |



Model	Dimensions (mm)		
	A	B	C
LALIZAS SOLAS DEEP SEA 6	1990	1990	1210
LALIZAS SOLAS DEEP SEA 8	2270	2270	1300
LALIZAS SOLAS DEEP SEA 10	2550	2550	1410
LALIZAS SOLAS DEEP SEA 12	2690	2690	1490
LALIZAS SOLAS DEEP SEA 16	3380	3380	1620
LALIZAS SOLAS DEEP SEA 20	4280	4280	2330
LALIZAS SOLAS DEEP SEA 25	4280	4280	2330

Throw-overboard

PACK A



Roll (GRP)



Flat (GRP)



Roll Compact (GRP)



Flat Compact (ABS)

Code	501595	501596	501597	501598	501599	501600	501601
Persons	6	8	10	12	16	20	25
Container				Roll			
Canister Material	GRP						
Total Weight (kg)	84	98	106	118	153	169	178
X - Length (mm)	1180	1180	1320	1320	1460	1590	1590
Z - Width (mm)	640	640	640	640	710	730	730
Y - Height (mm)	590	590	590	590	610	640	640
Maximum Storage Height (m)	25						

Code	501625	501626	501627
Persons	6	8	10
Container	Flat		
Canister Material	GRP		
Total Weight (kg)	84	96	105
X - Length (mm)	850	860	860
Z - Width (mm)	610	620	620
Y - Height (mm)	350	450	450
Maximum Storage Height (m)	18		

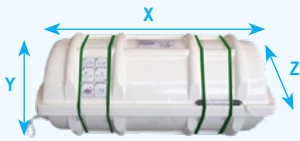
Code	501617	501618	501619	501620
Persons	6	8	10	12
Container	Roll Compact			
Canister Material	GRP			
Total Weight (kg)	73	81	91	107
X - Length (mm)	1180			
Z - Width (mm)	560	560	560	640
Y - Height (mm)	530	530	530	590
Maximum Storage Height (m)	18			

Code	501609	501610	501611	501612
Persons	6	8	10	12
Container	Flat Compact			
Canister Material	ABS			GRP
Total Weight (kg)	64	77	90	108
X - Length (mm)	740	860	860	1050
Z - Width (mm)	480	620	620	570
Y - Height (mm)	390	350	350	350
Maximum Storage Height (m)	18			



Flat Compact - 12 persons (GRP)

PACK B



Roll (GRP)



Flat (GRP)



Roll Compact (GRP)



Flat Compact (ABS)

Code	501602	501603	501604	501605	501606	501607	501608
Persons	6	8	10	12	16	20	25
Container	Roll						
Canister Material	GRP						
Total Weight (kg)	71	76	81	92	109	118	125
X - Length (mm)	1180	1180	1180	1320	1320	1460	1460
Z - Width (mm)	640	640	640	640	640	710	730
Y - Height (mm)	590	590	590	590	590	610	640
Maximum Storage Height (m)	25						

Code	501628	501629	501630
Persons	6	8	10
Container	Flat		
Canister Material	GRP		
Total Weight (kg)	64	73	79
X - Length (mm)	730	850	850
Z - Width (mm)	480	610	610
Y - Height (mm)	340	350	350
Maximum Storage Height (m)	18		

Code	501621	501622	501623	501624
Persons	6	8	10	12
Container	Roll Compact			
Canister Material	ABS			
Total Weight (kg)	58	67	70	77
X - Length (mm)	1180			
Z - Width (mm)	560	560	560	640
Y - Height (mm)	530	530	530	590
Maximum Storage Height (m)	18			

Code	501613	501614	501615	501616
Persons	6	8	10	12
Container	Flat Compact			
Canister Material	ABS			GRP
Total Weight (kg)	52	59	64	79
X - Length (mm)	740	860	860	1050
Z - Width (mm)	480	620	620	570
Y - Height (mm)	350	320	320	350
Maximum Storage Height (m)	18			



Flat Compact - 12 persons (GRP)

Throw-overboard Self-righting

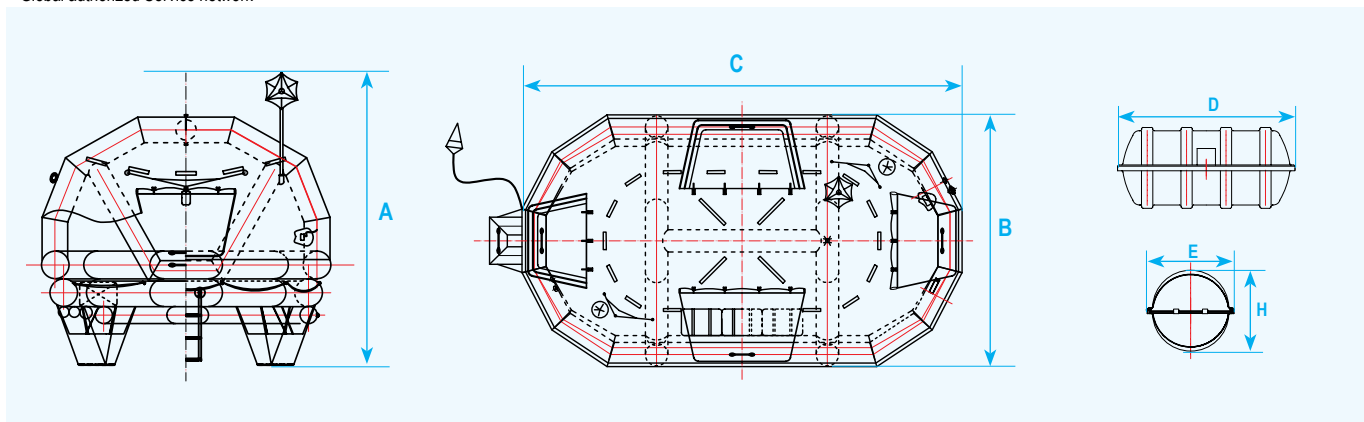
LALIZAS Liferaft SOLAS OCEANO, Throw-overboard Self-righting Type



- The unique liferaft solution according to SOLAS Regulation III/26 (Additional Requirements for Ro-Ro Passenger Ships).
- The above requires that all liferafts carried on ro-ro passenger ships (whether served by marine evacuation systems or traditional launching appliances) must be automatically self-righting OR be canopied reversible liferafts that are stable whichever way up.
- For use on all types of passenger vessels
- Equipment packs: SOLAS Pack A or SOLAS Pack B
- Available capacities: from 25 to 100 persons
- GRP canister
- Durable rubber fabric
- Double chambered tubes
- Stowage height up to 36 m (Painter Line up to 46 m)
- Insulated floor for low temperature conditions
- High visibility canopy with SOLAS Retroreflective Tapes
- Fully operational at temperatures from - 30°C up to +65°C
- Supplied with deck cradle in wooden box
- Global authorized Service network

Code	Persons	Weight (kg)*	Pack	Dimensions (mm)					
				A	B	C	D	E	H
72549	25	235	A	2250	3130	5350	1700	765	680
72550	50	395	A	2900	4275	7470	2095	895	877
72553		B	1800				810	700	
72551	100	830	A	3400	5380	11090	2400	1050	1050
72554		B	2095				895	995	

*Total weight of each liferaft including its canister, without the deck cradle & the wooden box.



Actual product marking may slightly differ from the picture. All liferaft dimensions and weight may slightly vary (± 3 cm for dimensions, $\pm 5\%$ for weight).



Davit-launched

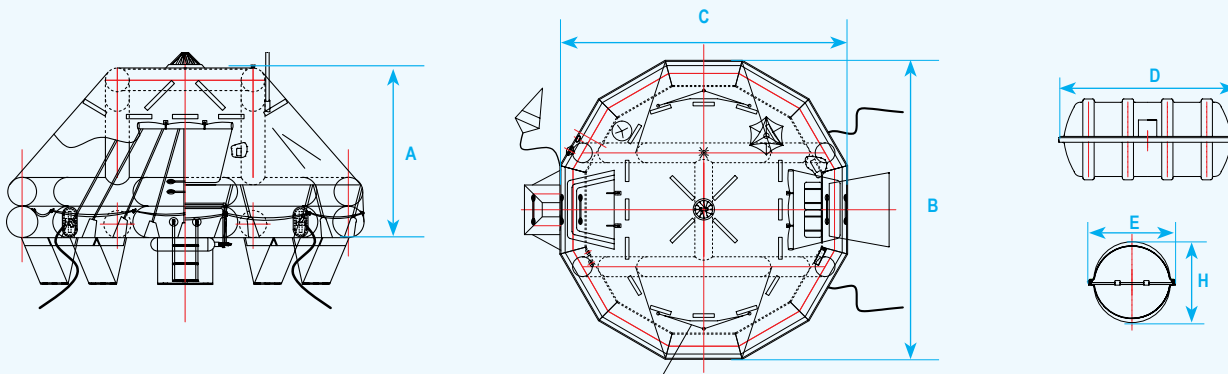
LALIZAS Liferaft SOLAS OCEANO, Davit-launched Type



- For use on all kinds of vessels, providing safe evacuation from the vessel's deck
- Equipment packs: SOLAS Pack A or SOLAS Pack B
- Available capacities: from 15 to 25 persons
- GRP canister
- Durable rubber fabric
- Double chambered tubes
- Stowage height up to 36 m (Painter line up to 46 m)
- Insulated floor for low temperature conditions
- High visibility canopy with SOLAS Retroreflective Tapes
- Fully operational at temperatures from - 30°C up to +65°C
- Global 'Service Stations' network
- Supplied with deck cradle in wooden box

Code	Persons	Weight (kg)*	Pack	Dimensions (mm)					
				A	B	C	D	E	H
75187	12	148	A	1600	2983	2903	1286	670	670
73134	16	160	A	1800	3392	3302	1350	700	700
79885	20	208	A	1850	3815	3715	1470	750	710
79888		B	165				1350	700	660
79886	25	240	A	2000	4225	4065	1680	770	710

*Total weight of each liferaft including its canister, without the deck cradle & the wooden box.



Open Reversible

LALIZAS Liferaft SOLAS OCEANO, Open Reversible Type



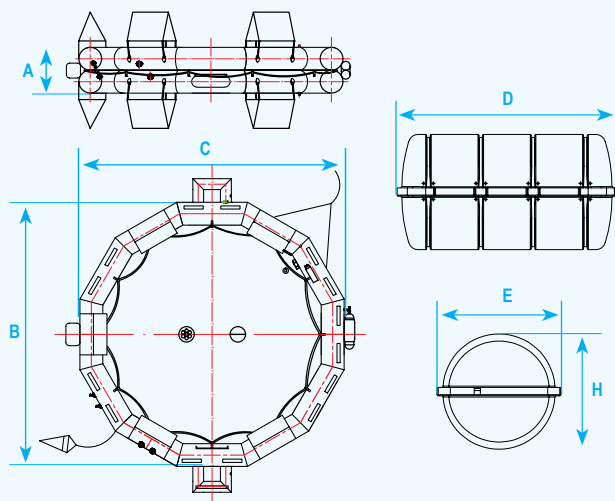
- Ideal for passenger ships operating in coastal or inland waters
- Equipment pack: HSC Pack (High speed crafts)
- Available capacities: from 25 to 100 Persons
- GRP canister
- Durable rubber fabric
- Double chambered tubes
- Stowage height up to 10 m (Painter line up to 20 m)
- Fully operational at temperatures from - 18°C up to +65°C
- Global Service Stations' network
- Supplied with deck cradle in wooden box

Code	Persons	Weight (kg)*	Pack	Dimensions (mm)					
				A	B	C	D	E	H
79898	25	92	HSC	712	4114	4114	1090	615	530
79899	30	109		746	4474	4474	1230	630	550

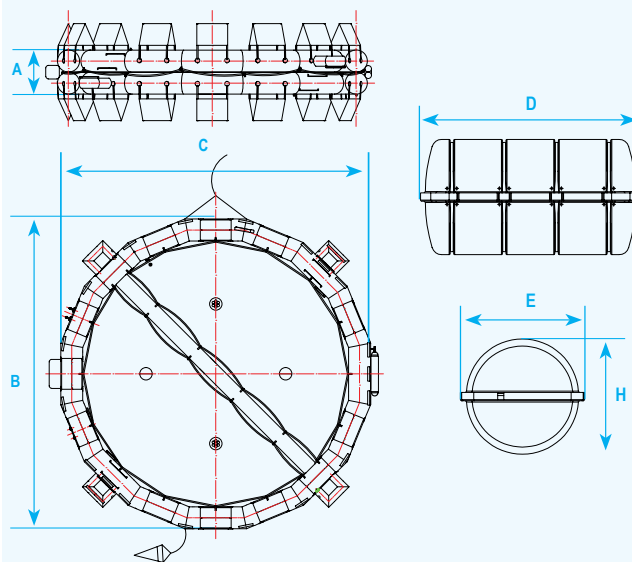
Code	Persons	Weight (kg)*	Pack	Dimensions (mm)					
				A	B	C	D	E	H
79900	50	168	HSC	854	5680	5680	1490	757	678
79901	65	215		914	6434	6434	1700	765	680
75459	100	293		1006	9066	6306	1820	830	750

*Total weight of each liferaft including its canister, without the deck cradle & the wooden box.

25 & 30 Persons




50, 65 & 100 Persons



Liferaft Equipment

LALIZAS Release Hook LAR 36, SOLAS/MED



The LALIZAS Release Hook LAR 36 is an off-load release hook, that combines two modes of operation (automatic & manual) in one hook, suitable for davit-launched liferafts & rescue boats, with a davit load up to 3670 kg/8091 lb.

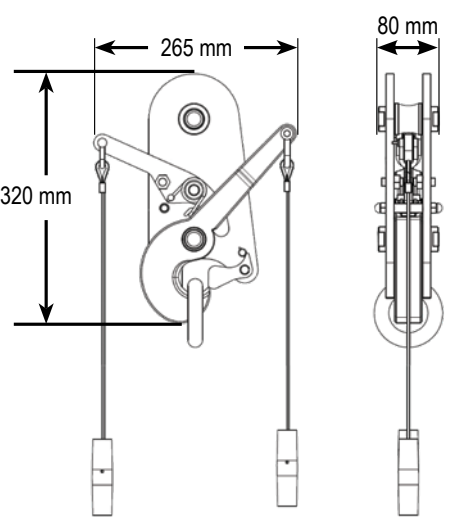
- It is tested and certified according to SOLAS/MED provisions and LSA requirements.

It has 2 possible modes of operation, allowing for safe evacuation regardless of the conditions:

- Automatic release mode: by activating the automatic release mechanism prior to splashdown, the hook will open automatically (with a force between 5-30 kg/11-66 lb) when the craft becomes waterborne.
- Manual release mode: when the craft is waterborne, but has not been auto-released (due to added load on the hook - less than 150 kg/330 lb - while being towed or due to bad sea conditions), then the manual release mode must be activated by the user.
- Remember that with this release hook, the actuating lever of the automatic release must be pulled prior to splashdown, for both automatic and manual release modes.

Specifications	
Safe Working Load (SWL)	36 kN (3670 kg/8091 lb)
Dimensions	320 x 250 x 80 mm/ 12,5 x 9,8 x 3,1 in
Weight	10 kg/22,5 lb
Material	Made of Inox 316, it features high corrosion resistance

*LALIZAS Release Hook LAR 36, for liferafts is covered by EU/US Mutual Agreement (MRA), Limited to use: to Davit-Launched liferaft automatic release hook (46 CFR 160.170).



Made in EU

Code | 74387

LALIZAS Hydrostatic Release Unit for Liferafts, SOLAS/MED/USCG-MER/TC



LALIZAS HRU mechanism is the outcome of a long-term experience in liferafts' manufacturing, designed and produced in the EU (in Greece), in accordance with SOLAS/MED/USCG regulations. It can easily be installed on board, attached to the liferaft according to instructions. The mechanism is being automatically activated, in the event of sinking, in a depth of between 1,5 and 4 m, allowing the liferaft to be inflated and detached from the sinking vessel. It can be installed to all life rafts of 4-150 persons.


Code | 73595

- No maintenance required
- Requires replacement 2 years after installation on board or 4 years after manufacture (whichever occurs first)
- Tested & approved by Force Certification A/S
- SOLAS/MED/USCG-MER/TC approved

Made in Greece




LALIZAS Lashing with Hook



Suitable for:

- All Hydrostatic Release Units
- LALIZAS OCEANO Liferaft (all types)

Code	71892	72748
For liferafts	6-35 prs	> 50 prs

Liferaft Equipment

LALIZAS LRL External & Internal Liferaft Light, SOLAS/MED/USCG

- Compact size and structure
- Easy and safe installation to the liferaft
- Fully sealed and watertight
- Minimum duration of 12 hrs
- Minimum output of 4,3 cd (external flashing light) & 0,5 cd (internal steady light)
- Storage & operating temperature: -30°C to +65°C
- Storage lifetime: 5 years
- Lithium battery and LED light
- The External Liferaft Light is suitable for PU, Rubber & PVC surfaces, according to the product code
- SOLAS/MED/USCG approved



Code	Description
72352	LALIZAS LRL Power unit with Internal Liferaft Light, SOLAS/MED/USCG
72351	LALIZAS LRL External Life Raft Light, with 1 m lead, for PU & Rubber surface, SOLAS/MED/USCG
73675	LALIZAS LRL External Life Raft Light, with 1,80 m lead, for PVC surface, SOLAS/MED/USCG

**Both lamps can be controlled individually*

**The length of the lead can be varied, subject to the liferaft size and specs*

LALIZAS Parachute Rocket ASTROS II, SOLAS/MED/USCG, Red



Emergency signal for position marking during rescue operations in day & night.

- SOLAS/MED/USCG approved
- Ejects red flare on parachute at 300 m for distress signalling and enhanced visibility
- Compact design for easy stowage in liferafts
- Sealing cap provides additional safety by preventing unintended use
- Exceptional performance even in harsh weather conditions
- Easy handling

Code	747871
Colour of Light	Red
Burning Time	>40 s
Light Intensity	>30000 cd
Ignition	Percussion cap trigger system
Gross Weight	280 ±5 g
NEC	100 ±5 g

LALIZAS Hand Flare ASTROS II, SOLAS/MED/USCG, Red



Emergency signal for position marking during rescue operations in day & night.

- SOLAS/MED/USCG approved
- Compact design for easy stowage in liferafts
- Exceptional performance even in harsh weather conditions
- Easy handling

Code	747881
Colour of Light	Red
Burning Time	>60 s
Light Intensity	>15000 cd
Ignition	Percussion cap pull system igniter from cold side
Gross Weight	165 ±5 g
NEC	55 ±5 g

Liferaft Equipment

LALIZAS Buoyant Smoke Signal ASTROS SOLAS/MED/USCG, Orange

Emergency signal for position marking during rescue operations in daytime.



- SOLAS/MED/USCG approved
- Can be used for indication of wind direction
- Compact design for easy stowage in liferafts
- Exceptional performance even in harsh weather conditions
- Easy handling

Code	74789
Colour of Light	Dense orange smoke
Burning Time	>3 min
Ignition	Pull-wire with 2 seconds delay
Gross Weight	385 ±5 g
NEC	250 ±5 g

First Aid Kit Category C SOLAS, for Liferafts



Certified by INSB and holding manufacturing approval from the Ministry of Shipping & Island Policy.

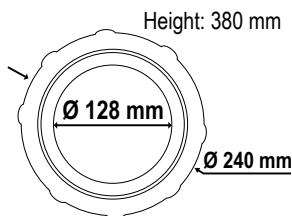
Code | 71245

LALIZAS Storage Bottle for Distress Signals/ Pyrotechnics 12 L, Yellow

- The best solution for safely storing pyrotechnics, such as hand flares, parachute rockets & buoyant smoke signals



- With red waterproof screw top and silicone gasket for optimum water resistance
- Featuring a carrying rope, in yellow colour
- Made of polyethylene
- Capacity: 12 L
- In bright yellow colour
- Made in Italy



Code | 198265

LALIZAS Emergency Liferaft Food Ration 0,5 kg, 2.503 kcal



- Vacuum bagged and specially packed in order to withstand severe weather conditions, contents last for 5 years

Compliance:

- ISO 18813:2006
- SOLAS as amended
- LSA Code as amended
- Halal Certification

Code | 57070

LALIZAS Dry Bag for Distress Signals / Pyrotechnics



- Dimensions: Ø16 x 48 cm
- Material: Transparent PVC
- * Distress Signals not included

Code | 74636

LALIZAS Emergency Liferaft Drinking Water 4x125 ml



- Specially packed in order to withstand severe weather conditions, contents last for 5 years

Compliance:

- ISO 18813:2022
- SOLAS as amended
- LSA Code as amended
- Halal Certification

Code | 56700

Liferaft Equipment

LALIZAS Thermal Protective Aid Alusafe-T, LSA Code - MER

- Meets the LSA code requirements
- Protects the wearer from hypothermia, which may be caused by prolonged exposure in liferaft and rescue boats
- Offers survivor's protection from wind and cold
- Made of aluminium film coated fabric

Code | 70461



- The low thermal conductivity of aluminium reduces both the convective and evaporative heat loss from the wearer's body and preserves stable temperature
- Covers the fully clad body, even wearing a lifejacket
- Available in one size, in silver colour

Height range: 1,45 - 2,00 m

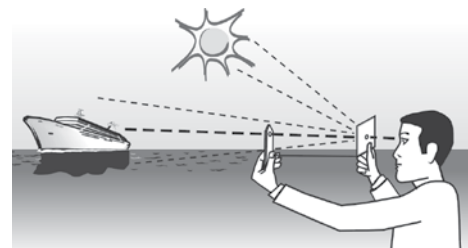
Weight range: 40 - 150 kg

Signalling Mirror 7x7cm

Instructions for use:

1. Hold the foresight in your left hand with arm fully extended
2. Hold the signalling mirror in right hand toward the sunlight, facing the back of the mirror
3. Align the holes of the foresight and the mirror on the target
4. Move the mirror until the reflection of the sun from the mirror can be seen on the foresight and a shadow point appears in its hole
5. The ray is now directed at the target

Code | 56570



LALIZAS Radar Reflector SOLAS/MED



Code | 500249

- For use on liferafts and rescue boats
- Enhances the liferaft/rescue boat signal on the area's radars
- To be used at a height of at least 1,5 m above the water surface
- SOLAS/MED approved

Material:

- Balloon: PVC
- Corner reflector: Aluminised polyester sheet on the external side of the balloon

Dimensions:

- Inflated: Diameter: 565 mm ± 5 mm
Height: 410 mm ± 5 mm
- Packed: 380 x 250 mm (Diameter x Height)

Weight Radar Reflector: 600 g ± 20 g

Can be easily inflated orally.



**Pole Portable
For Radar
Reflector
500249**

Code | 500027

Thermal Blanket, 2,1 x 1,6 m



Code | 70976

- First Aid Application
- In case of severe cold or shock wrap the blanket around the body
- Keeps the body's temperature under very low or very high temperatures
- Prevents post - accident shock
- Waterproof
- Its reflective surface provides high visibility
- Dimensions: 2,1 x 1,16 m

Thermal Blanket, Advanced, 2,1 x 1,6 m



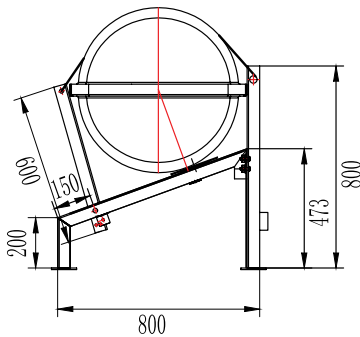
Code | 70975

With aluminium & titanium coating
Application: The thermal blanket helps you keep the body's temperature by protecting you from the sunrays and the very low temperatures. It is suitable for use in cases of accident, but also for protection against wind, rain or heat.

Instructions: When you need to avoid hypothermia, use the thermal blanket with the golden side facing upwards. In case you need protection from the heat, use the thermal blanket with the silver side facing upwards.

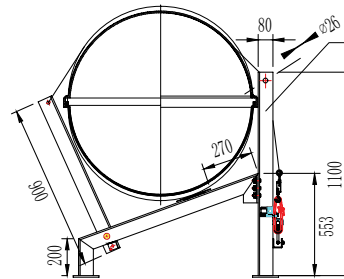
Liferaft Equipment

Cradle for SOLAS OCEANO



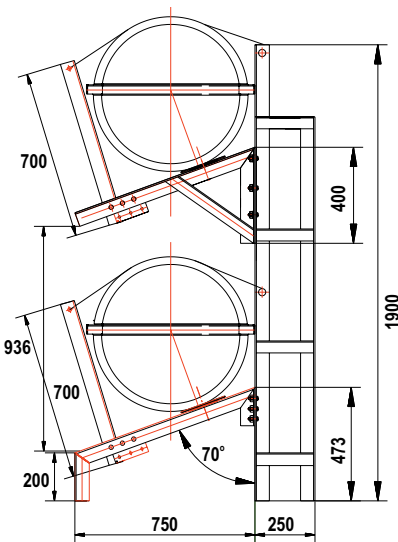
Cradle for SOLAS OCEANO, 1 tier, 6-25 (A), 6-25 (B) & OR 10-65

Made of Hot-Dip Galvanized Steel
Code | 75154



Cradle for SOLAS OCEANO, 1-tier, 66-100 (A), 100 (B), OR 150/152

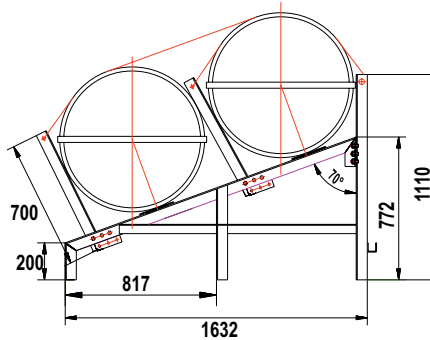
Made of Hot-Dip Galvanized Steel
Code | 76087



Vertical Cradle for SOLAS OCEANO, 2-tier, 6-25(A), 6-35(B)

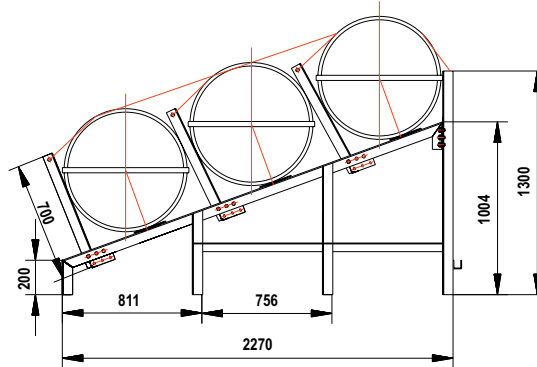
Made of Hot-Dip Galvanized Steel

Code | 72119



Cradle for SOLAS OCEANO, 2-tier, 30-35(A)

Made of Hot-Dip Galvanized Steel
Code | 72136



Cradle for SOLAS OCEANO, 3-tier, 6-25(A), 6-35(B)

Made of Hot-Dip Galvanized Steel

Code | 72120

Cradle for SOLAS OCEANO, 1-tier



Code	Liferaft capacity
75841	flat pack 6-8
75842	flat pack 10-12

Cradle for SOLAS OCEANO, U-shaped, 1-tier



Code	Length (mm)	Width (mm)	Liferaft capacity
75869	500	560	TOB 6-12(A), TOB 6-15(B) & OR 6-25
75870	600	650	TOB 15-20(A), TOB 20-25(B) & OR 30
75871	700	700	TOB 25-30-35(A), TOB 30-35(B) & OR 50-65



ISO APPROVED LIFERAFTS

LALIZAS also manufactures ISO liferafts in our own factories, using fully automated production processes designed to minimise human error. Through continuous research, advanced machinery, and optimised production methods, we deliver reliable, high-quality liferafts at competitive prices. Our manufacturing approach avoids the use of glue and other harmful materials by using High-Frequency welding, reducing environmental impact while enhancing product durability.



**FOR MORE
INFORMATION**

Contact our team directly to discuss your specific requirements and find the most suitable solution for your needs.

**SCAN FOR
THE VIDEO**





LALIZAS

2 Mikras Asias - Fokeas & Eginis, 185 47 Piraeus, Greece

Tel.: +30 210 4226274 - e-mail: info@lalizas.com

www.lalizas.com